

REV.1

QUAD
INDUSTRIAL

CONCOURSE Q SERIES

INSTRUCTION BOOKLET



MODELS Q4, Q4T, Q5, & Q5T

FOR THE CLOSEST APPROACH TO THE ORIGINAL SOUND

TABLE OF CONTENTS

Introduction:

Safety Instructions.....	02
Introduction.....	02
Warnings & Disclaimers.....	02
Rigging & Suspension.....	02
Warranty & Service.....	02

Product Descriptions:

Concourse Q4/Q4T.....	03
Concourse Q5/Q5T.....	03

Product Features:

Back Panel Drawing.....	03
Accessories.....	04

Installation:

Installation Instructions.....	05
--------------------------------	----

Connections:

Low Impedance Connections.....	07
70/100V Connections.....	07
Impedance Charts.....	08

CE Compliance:

Statement.....	08
Specifications.....	09

Contact Information:

QUAD Industrial Contact Information.....	BACK COVER
--	------------

SAFETY INSTRUCTIONS

Safety First!

1. Please read this manual fully before installing and operating this product.
2. Retain a copy of this manual for future reference.
3. Comply with all warning labels and instructions.
4. Do not attempt the installation of this equipment unless you are qualified to do so.
5. Protect your hearing from high sound pressure levels.

Rigging and Suspension

The rigging, suspension or mounting of these products can expose the installer and members of the public to serious health risks and even death.

UNDER NO CIRCUMSTANCES ATTEMPT TO RIG, SUSPEND OR OTHERWISE MOUNT THIS EQUIPMENT UNLESS YOU ARE FULLY QUALIFIED AND CERTIFIED TO DO SO BY RELEVANT LOCAL, STATE AND NATIONAL AUTHORITIES. ALL RELEVANT SAFETY REGULATIONS MUST BE FOLLOWED. IF YOU ARE NOT PROPERLY QUALIFIED OR DO NOT KNOW OF PERTINENT REGULATIONS, CONSULT QUALIFIED PERSONNEL FOR ADVICE AND ASSISTANCE.

Limited Liability

QUAD Industrial assumes no liability whatsoever for any damage or loss, either direct or consequential arising from the installation and use of these products. Liability is limited to replacement of product or refund, at the QUAD Industrial's discretion. Your rights to compensation may vary by territory; consult with your local QUAD Industrial office or distributor.

Warranty & Service

These products are designed to be used as specified, and are warranted to be free from defects in materials or workmanship. Warranty terms and conditions vary by territory. Please contact your local QUAD Industrial sales office or distributor for complete details. Under no circumstances should you attempt to repair these products. Doing so may limit or void warranty coverage.

PRODUCT DESCRIPTION

The Concourse Q4(T) and Q5(T) are two-way high performance speaker systems designed for distributed music, paging and speech applications. They combine quality transducers with sophisticated crossover designs in lightweight and durable ABS enclosures and come complete with mounting brackets and hardware.

CONCOURSE Q4

The Concourse Q4 is a two-way speaker system consisting of a 4" low frequency driver and a 1" dome tweeter and is supplied with a wall mounting bracket. There are four versions available:

- **Concourse Q4W** – White, 8Ω, 25 Watts
- **Concourse Q4B** – Black, 8Ω, 25 Watts
- **Concourse Q4TW** – White, 15 Watt 70/100 Volt transformer included
- **Concourse Q4TB** – Black, 15 Watt 70/100 Volt transformer included

CONCOURSE Q5

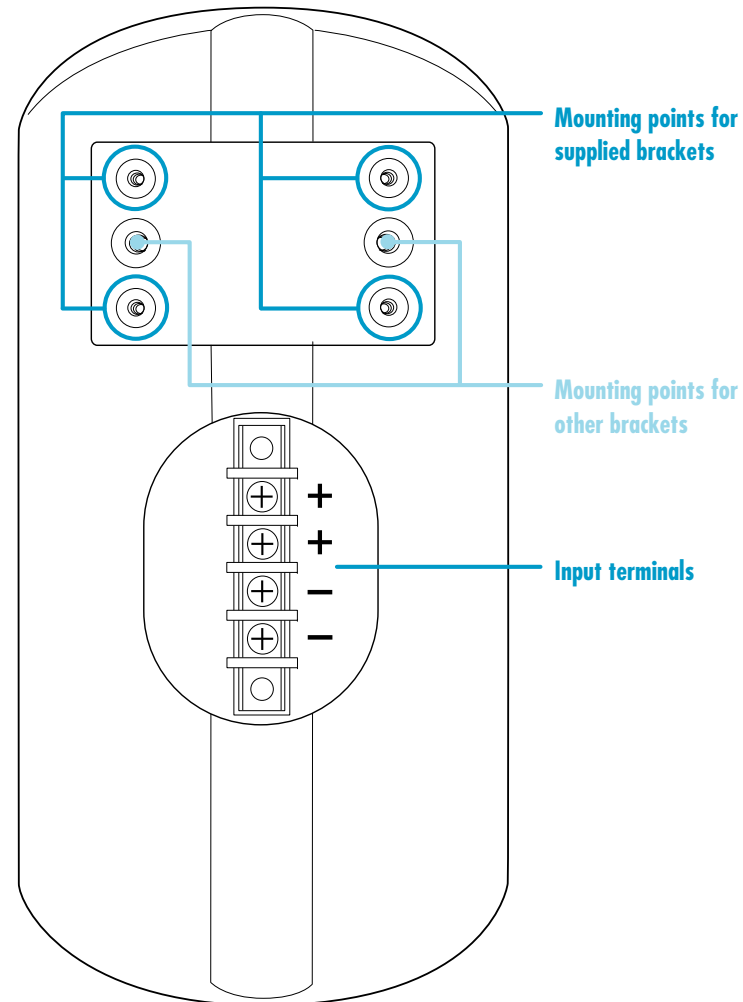
The Concourse Q5 is a two-way speaker system consisting of a 5" low frequency driver and a 1" Dome tweeter and is supplied with a wall mounting bracket. There are four versions available:

- **Concourse Q5W** – White, 8Ω, 35 Watts
- **Concourse Q5B** – Black, 8Ω, 35 Watts
- **Concourse Q5TW** – White, 25 Watt 70/100 Volt transformer included
- **Concourse Q5TB** – Black, 25 Watt 70/100 Volt transformer included

PRODUCT FEATURES

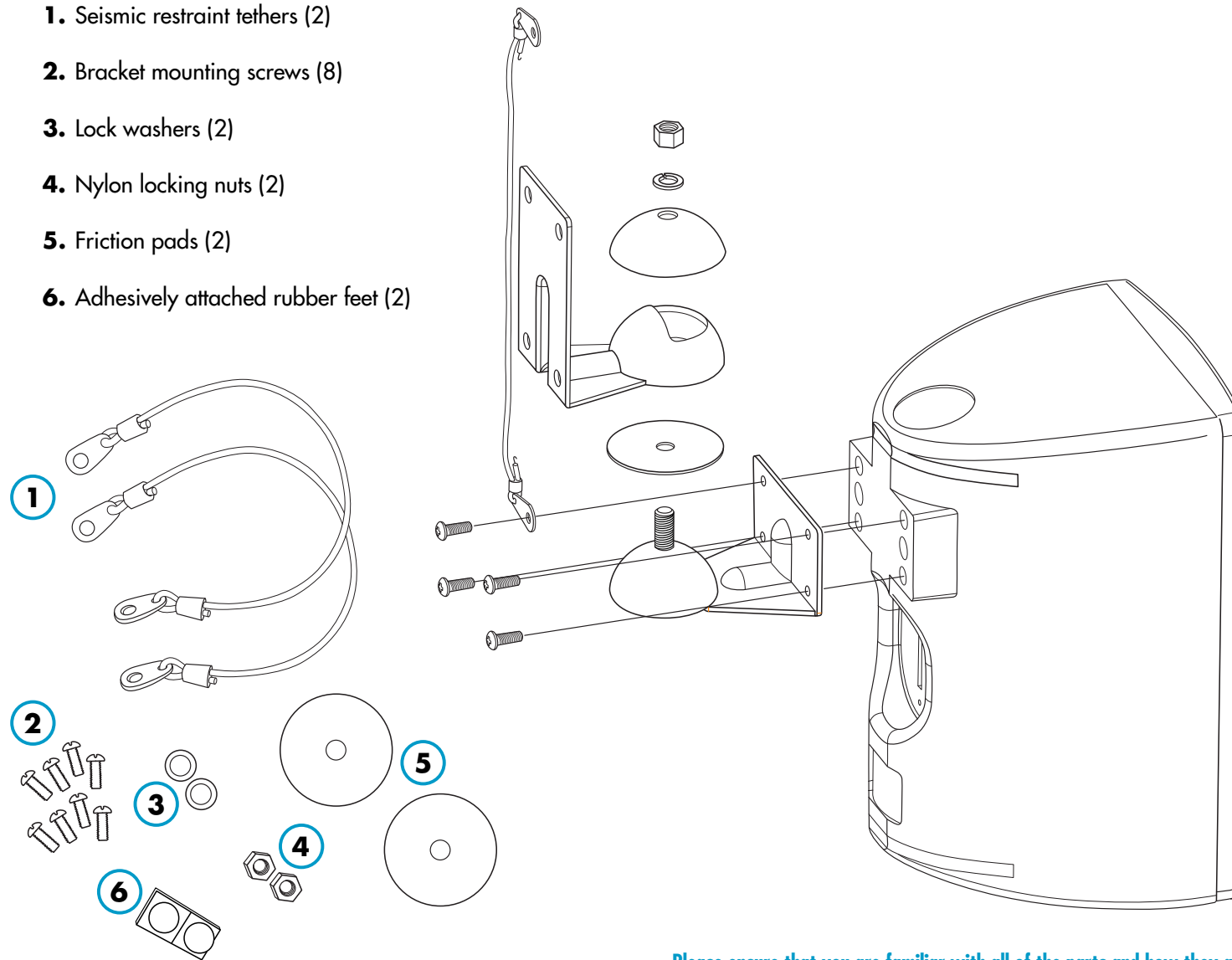
The Q4/Q5 models are fitted with 4 threaded inserts on the rear for attaching the supplied mounting bracket. There are also two threaded inserts to accommodate after-market brackets.

Amplifier outputs are connected to the speaker through a terminal strip mounted inside a recessed well on the rear of the speaker.



A complete installation kit designed to work with the supplied mounting brackets is included with each model and consists of:

1. Seismic restraint tethers (2)
2. Bracket mounting screws (8)
3. Lock washers (2)
4. Nylon locking nuts (2)
5. Friction pads (2)
6. Adhesively attached rubber feet (2)



Please ensure that you are familiar with all of the parts and how they are assembled before starting the installation.

INSTALLATION

Step 1

Mount the bracket as shown to the wall or other mounting surface using suitable screws.

Step 2

Mount the bracket with the threaded bolt to the cabinet using the 4 supplied screws.

Step 3

Place the rubber friction washer over the bolt.

Step 4

When you're ready to install the speaker insert the the bolt in the wall bracket from below.

Step 5

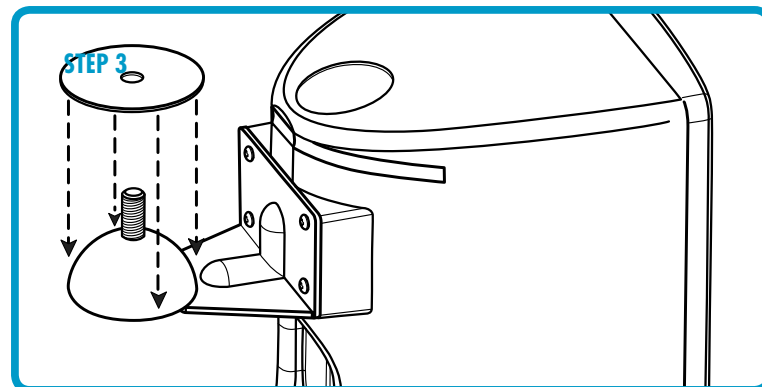
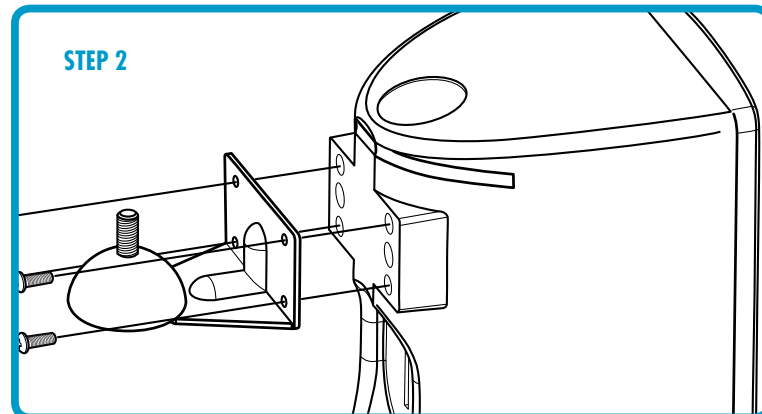
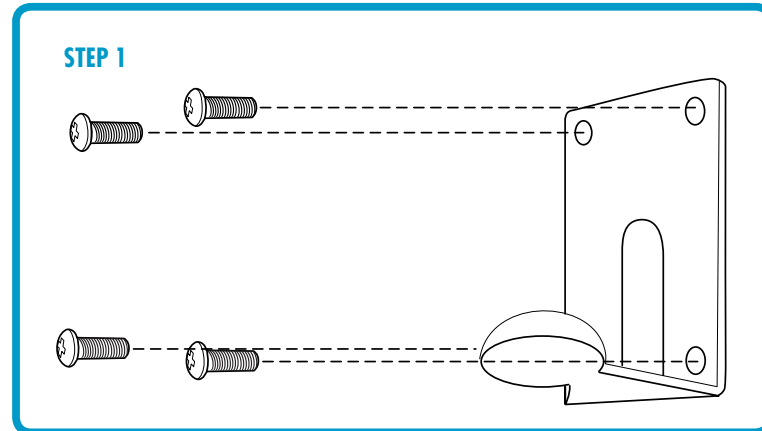
Place the dome cover over the bolt.

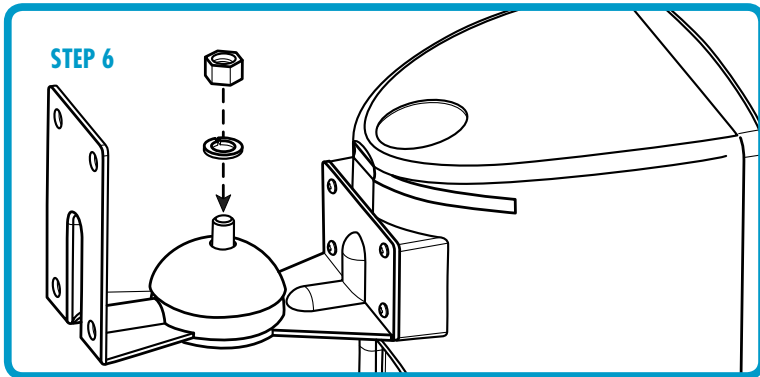
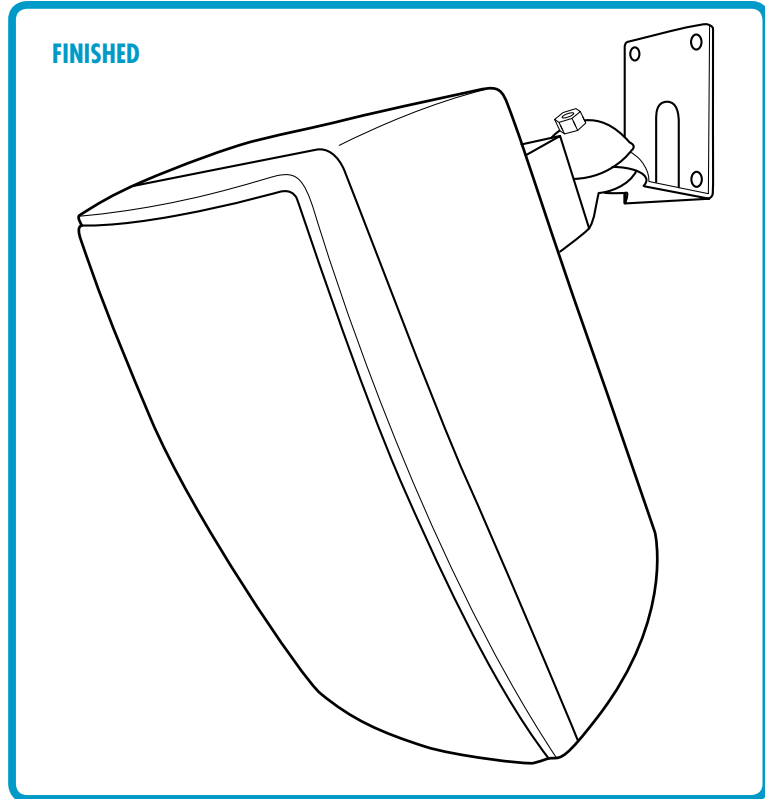
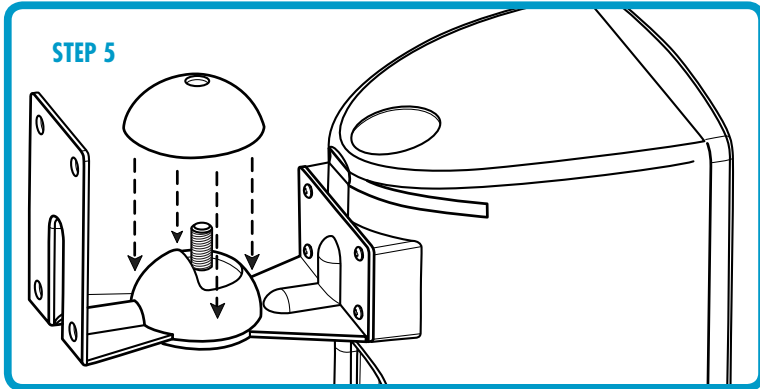
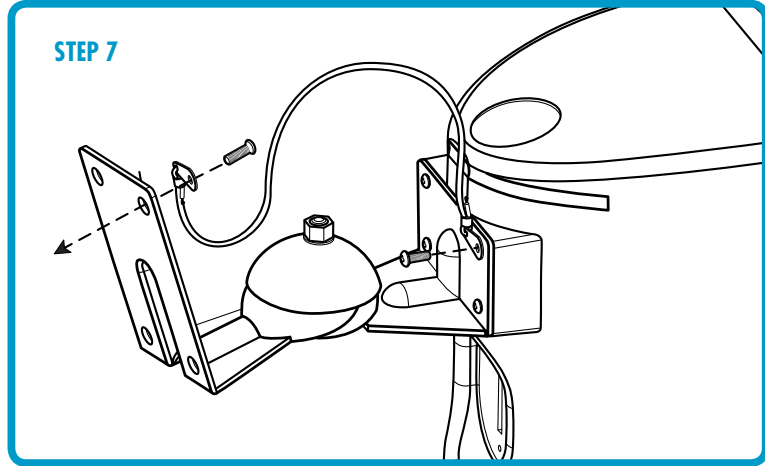
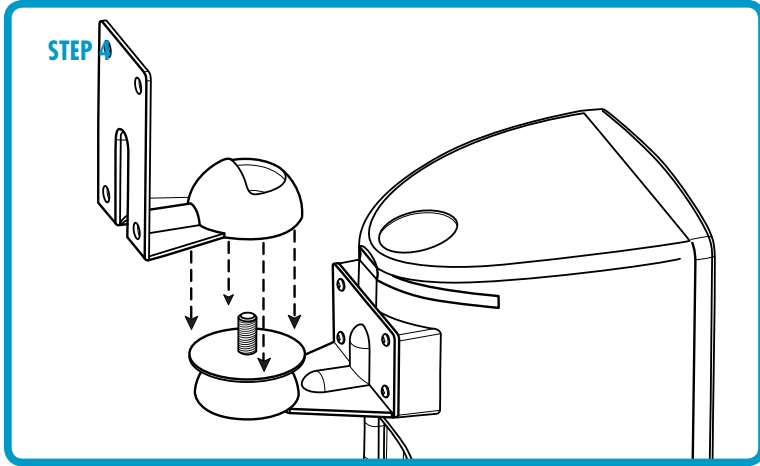
Step 6

Place the lock washer and hex nut on the bolt. Tighten gently, aim the speaker as needed and tighten firmly.

Step 7

Ensure that seismic restraint cable is firmly attached to both the loudspeaker and an anchor point on the mounting surface.





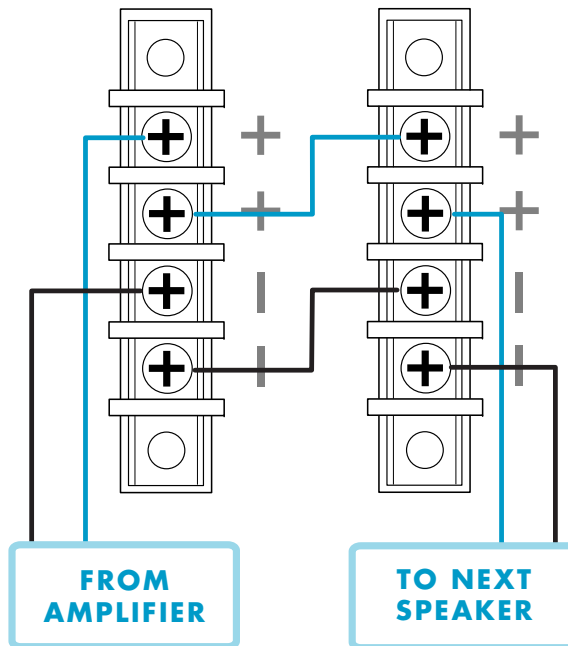
LOW IMPEDANCE (8Ω) CONNECTIONS

Low impedance models are fitted with two terminals for the (+) and (-) incoming amplifier feed and two terminals paralleled to the next speaker.

Speakers may be wired in parallel as shown below. Ensure that the total impedance of connected speakers does not fall below the minimum impedance of the connected amplifier. The following table shows the net impedance when several speakers are combined in parallel.

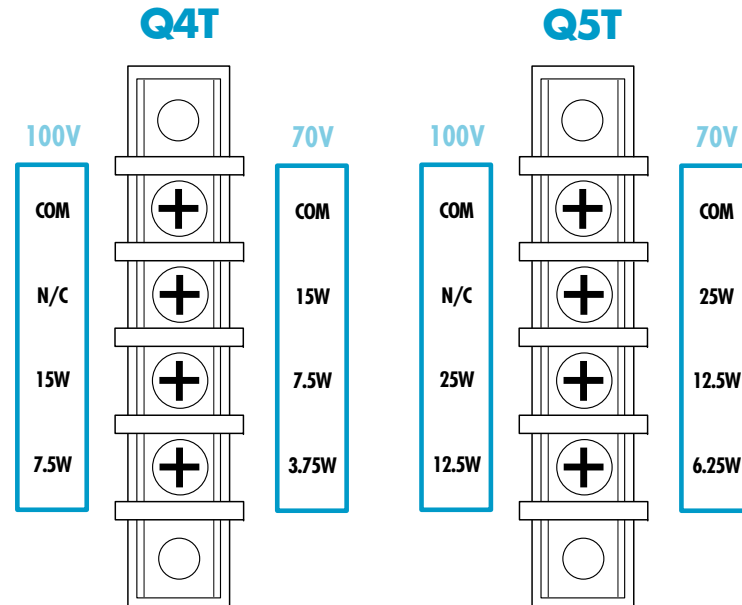
Number of Speakers in Parallel Combined Impedance

1	8Ω
2	4Ω
3	2.6Ω
4	2Ω



70/100V CONNECTIONS

70/100V Models use one terminal for the Common (-) connection and the other three terminals for the transformer power taps. Note that the Q4T offers taps at 15W/7.5W/3.75W (below left) while the Q5T offers taps at 25W/12.5W/6.25W (below right).

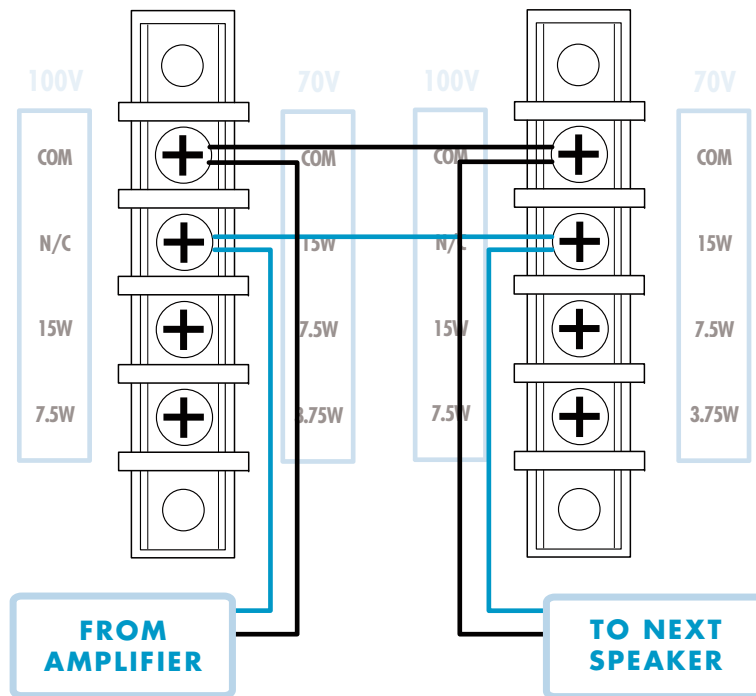


NOTE:

Power taps are labeled for 70V operation. Connection of 100V amplifiers requires use of the next lower wattage tap to prevent damage to the speaker. See chart below.

Model: Q4T				Model: Q5T			
Tap Label	70V	100V	Impedance Ω	Tap Label	70V	100V	Impedance Ω
15W	15W	N/C	320	25W	25W	N/C	200
7.5W	7.5W	15W	640	12.5W	12.5W	25W	400
3.75W	3.75W	7.5W	1280	6.25W	6.25W	12.5W	800

Connect speakers in parallel as shown below:



Select the power tap by dividing the amplifier's available power by the number of speakers to be connected and then selecting the next lower wattage tap. For example:

200W amplifier ÷ 20 speakers = 10 Watts; use the 7.5W terminal

Individual speakers may be tapped higher or lower in order to better balance the system sound pressure level in different areas. Ensure that the combined power draw does not exceed the maximum rated power of the amplifier or damage to the amplifier and speakers could occur.

CE COMPLIANCE

This product is in compliance with CE directives and bears the CE mark. For detailed information on specific directives please contact your local QUAD Industrial sales office or distributor.

SPECIFICATIONS

Power Handling:	Q4	Q4T	Q5	Q5T
Continuous	25W	70V: 3.75W/7.5W/15W	35W	70V: 6.25W/12.5W/25W
Program	50W	100V: 7.5W/15W	70W	100V: 12.5W/25W
Peak	100W		140W	
Frequency Response: (-10dB)	60Hz–20kHz	60Hz–20kHz	50Hz–20kHz	50Hz–20kHz
Frequency Response: (+/-3dB)	100Hz–20kHz	100Hz–16kHz	60Hz–20kHz	60Hz–16kHz
Sensitivity (@2.83V):	84dB	83dB	85dB	84dB
Max SPL:	105dB	95dB	106dB	98dB
Coverage (H x V):	110° x 130°	110° x 130°	150° x 150°	150° x 150°
Directivity (DI) (H x V):	6.62	6.62	5.36	5.36
Impedance:	8Ω	N/A	8Ω	N/A
Regulatory Approvals: (9UL, CE)	CE	CE	CE	CE
Transducers:				
LF Driver Size	4" Cone	4" Cone	5" Cone	5" Cone
HF Driver Size	1" Soft Dome	1" Soft Dome Tweeter	1" Soft Dome	1" Soft Dome
Crossover Frequency:	2.8kHz	2.8kHz	2.5kHz	2.5kHz
Enclosure Material:	Plastic (ABS)	Plastic (ABS)	Plastic (ABS)	Plastic (ABS)
Connector Type:	Screw Terminal	Screw Terminal	Screw Terminal	Screw Terminal
Dimensions: (H x W x D)	9.1" x 6.3" x 5.8" 232 x 160 x 148mm	9.1" x 6.3" x 5.8" 232 x 160 x 148mm	7.3" x 7.3" x 11" 185 x 185 x 280mm	7.3" x 7.3" x 11" 185 x 185 x 280mm
Net Weight:	4.6lbs. 2.1kg	5.28lbs. 2.4kg	5.5lbs. 2.5kg	5.5lbs. 2.5kg

* Features, details & specifications are subject to change without notice

USA CONTACT:

ph +877.440.0888

ph +425.861.3909

fx +425.861.3906

UK CONTACT:

ph +0845 4580011

ph +44 (0) 1480 447700

fx +44 (0) 1480 431767

OUTSIDE USA & UK:

ph +86 (0755) 8209 6639

fx +86 (0755) 8209 0203

WEB:

www.quadindustrial.com

FOR THE CLOSEST APPROACH TO THE ORIGINAL SOUND